

TUNGSTEN HALOGEN LAMPHOLDERS

2-Pin Miniature Base Lamps

LAMP BASE
 2-Pin Miniature
 (.060" dia. round or .025"
 flat pins x .210" ctr. to ctr.)
G5.3, GU5.3, GX5.3, GY5.3



Type TP120

Specifications

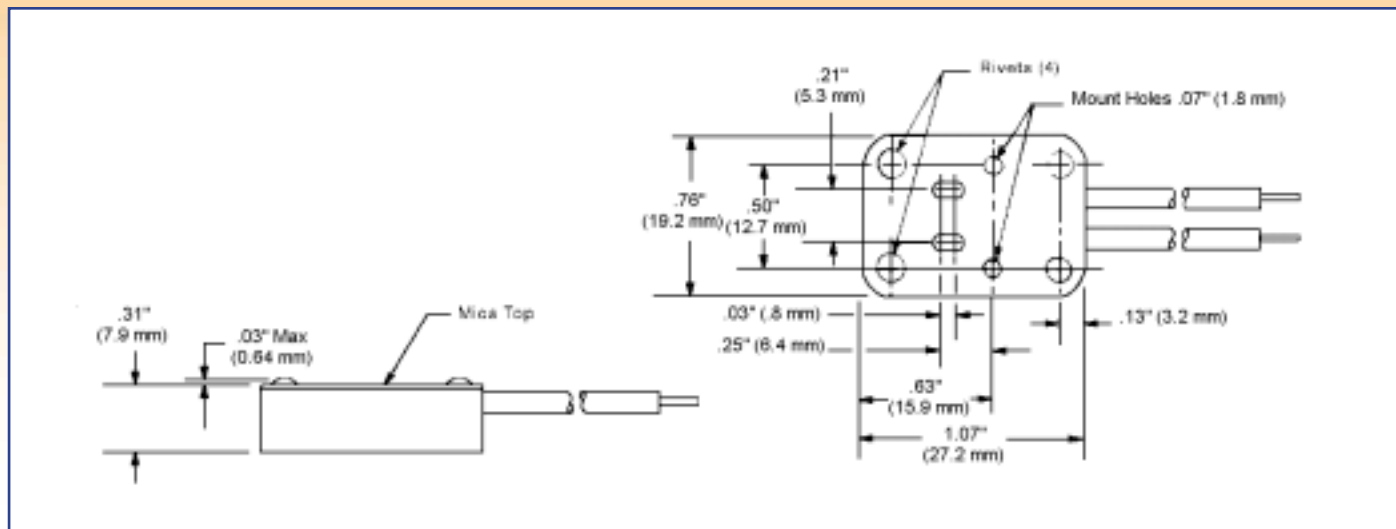
Maximum Wattage	750 W
Maximum Voltage	250 V
Maximum Operating Temperature	225° C
Qualifications	UL Recognized - E31557 CSA Certified - LR20904
Body Material	Steatite / Mica
Contact Material	High Temperature Nickel Alloy
Wire Leads	Any UL recognized and CSA certified wire: AWG 18 or 16, 300 V min, 150° C min



How To Order

Product Number	Wire Gauge/Type	Wire Length (inches)	Wire Color	Strip Length (inches)
F510180 (flat pins only)	AWG16 SF2	18	White	.31
F595200 (flat pins only)	AWG16 UL1659	7	White	.25
F510940 (round pins only)	AWG18 SF1	12	Black	.25
F597300 (flat pins only)	AWG18 SF1	6	White	.25
F586810 (flat pins only)	AWG18 SFF1	6	White	.18
F591380 (flat pins only)	AWG18 UL1180	18	White	.25
F510760 (flat pins only)	AWG18 UL1726	6	White	.25

• Other wire types and lengths available



(717) 848-8080 ext. 248
 (717) 843-7075
 lampholders@sylvania.com